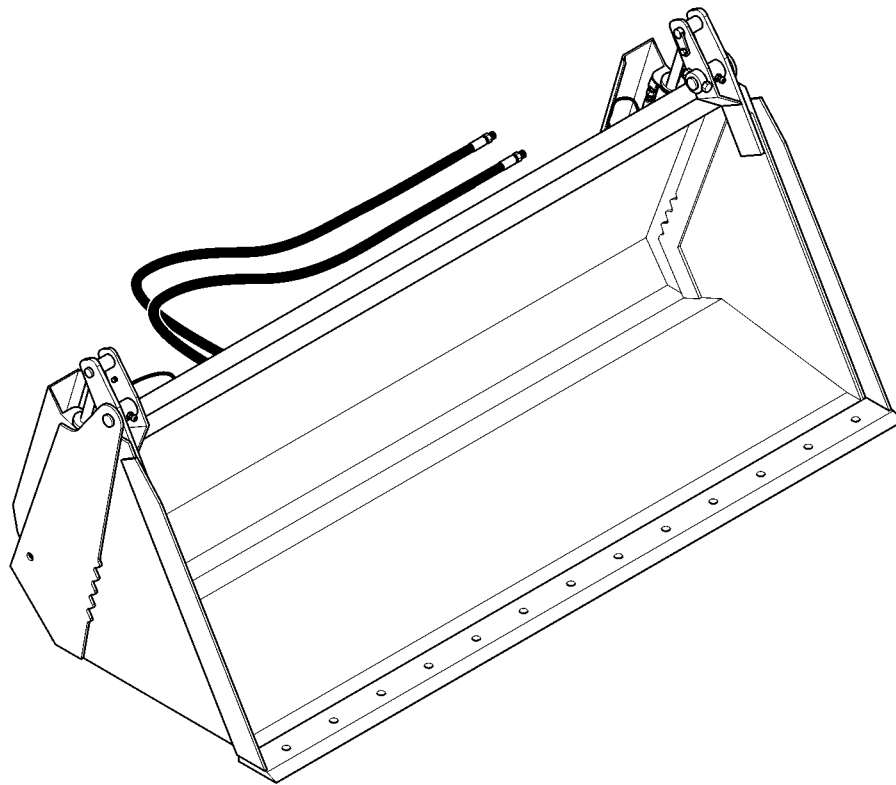


# ***FOUR-IN-ONE BUCKET***

**MODELS MPB-60, MPB-66 & MPB-72**

## **INSTALLATION & PARTS MANUAL**



**ATI**   
CORPORATION

New Holland, PA 17557

Phone (717) 354-8721 • FAX (717) 354-2162

1-800-342-0905

[www.preseeder.com](http://www.preseeder.com)

**JUNE 2004**

CAT.#MPB606672IPM-0604



COPYRIGHT 2004 by  
**ATI Corporation**  
New Holland, PA 17557 U.S.A.

All rights reserved. No part of this publication may be reproduced, stored in a retrieval system, or transmitted in any form or by any means, electronic, mechanical, photocopying, recording, or otherwise, without prior written permission of ATI Corporation.

### **DISCLAIMER**

THE INFORMATION IN THIS MANUAL IS PROVIDED TO PROMOTE THE SAFE USE OF, AND ASSIST THE OPERATOR IN ACHIEVING THE BEST PERFORMANCE FROM, FOUR-IN-ONE BUCKET DESCRIBED HEREIN, FOR THEIR INTENDED APPLICATIONS.



# Four-In-One Bucket



New Holland, PA 17557  
Phone (717) 354-8721 • FAX (717) 354-2162  
**1-800-342-0905**  
[www.preseeder.com](http://www.preseeder.com)

## TABLE OF CONTENTS

<b>SUBJECT</b>	<b>PAGE NO.</b>
SERIAL NUMBER INFORMATION .....	.iv
WHERE TO GET PARTS AND SERVICE .....	.iv
HOW TO ORDER PARTS .....	.v
LIST OF PARTS ILLUSTRATIONS .....	.1



New Holland, PA 17557  
 Phone (717) 354-8721 • FAX (717) 354-2162  
 1-800-342-0905  
 www.preseeder.com

# Four-In-One Bucket

## SERIAL NUMBERS, PARTS & SERVICE

### SERIAL NUMBER INFORMATION

It is very important that the correct serial number is provided when ordering parts. The serial number plate is located on the back left corner of the bucket weldment. Please mark the model and serial number of your attachment in the space provided below in case the plate on your attachment gets lost or damaged.

**Model** ..... **Serial Number** .....

**Dealer Name** ..... **Dealer Phone Number** .....

### WHERE TO GET PARTS AND SERVICE

When replacement parts and service are required for your attachment, ATI Corporation recommends returning to the dealer from which the attachment was purchased. By going to the dealer, you are dealing with people that understand and know your attachment. Our dealers have the experience servicing these machines and stock the most common parts required to keep your attachment in top working condition.

### NOTE:

**ATI Corporation reserves the right to discontinue models at any time, change specifications, and improve design without notice and without incurring obligation on goods previously purchased and to discontinue supplying any part listed, when the demand does not warrant production.**

# Four-In-One Bucket



New Holland, PA 17557  
Phone (717) 354-8721 • FAX (717) 354-2162  
1-800-342-0905  
www.preseeder.com

## HOW TO ORDER PARTS

Parts lists contained in this book have been prepared to help you when ordering spare and/or replacement parts. Your order will be filled promptly and accurately when the following information is provided:

1. Model and serial number of the unit. (This specifically identifies the equipment you have and permits us to verify the part numbers in your order.)
2. The parts list page number and catalog number. Include catalog revision number, if applicable.
3. The **Item** number for each part. **Item** numbers on the parts list page correspond with the numbers shown on the illustration.
4. **Part Number** as it appears in the parts list. In most cases this will be a nine-digit number; for example: 200-147-000.
5. The **Description** for the part as it appears on the parts list page.

When a complete assembly is needed, use the assembly number given in the parts list. If no assembly number is given, order by main assembly title and list only the item numbers you want. For example: "Cylinder Assembly 2" Bore x 6" Stroke per 000-166-169, Items 2 through 15, inclusive".

The part ordered may have a new part number, or the part may have been replaced by a newer design with a different part number. In these cases your acknowledgement, shipping papers and invoices will be written listing the current part number first; the old part number you referred to will follow the part description.

Our purpose in doing this is to tell you that the parts are fully interchangeable. This will avoid any unnecessary correspondence or delay in processing your order. We suggest that you add any new number to your parts lists for future use.



New Holland, PA 17557  
 Phone (717) 354-8721 • FAX (717) 354-2162  
 1-800-342-0905  
 www.preseeder.com

# Four-In-One Bucket

## SAFETY, INSTALLATION, OPERATION & MAINTENANCE

### SAFETY

SAFETY is our first concern at ATI Corporation. Safety must also be first in the mind of the operator of the Four-In-One bucket. Proper maintenance is necessary to complete the safety cycle.

**Observe all safety rules, including:**

- Operate at a safe distance from bystanders.
- Never perform maintenance or service work such as lubricating, inspecting, clearing debris, etc., while the tractor/skid steer engine is running. Shut off the tractor/skid steer engine and remove the key before performing these functions.

**CAUTION** DO NOT EXCEED THE LOADER'S SAE OPERATING LOAD. See the operator's manual of the loader for load specifications. Remember to include the weight of the Four-In-One bucket in the total weight to be lifted by the loader.

WEIGHT CHART	
FOUR-IN-ONE BUCKET	
MODEL	WEIGHT
MPB-60	350
MPB-66	375
MPB-72	400

PRESSURIZED OIL LEAKS CAN PENETRATE YOUR SKIN. Before investigating or repairing leaks, shut off the tractor/skid steer engine and move the hydraulic control valve to open and close positions several times, to relieve pressure in the hydraulic lines.

### INSTALLATION

Please refer to loader operator's manual for attachment installation instructions.

### MAINTENANCE

- Lubricate all grease fittings every ten (10) hours of operation.
- Check all hydraulic hoses frequently for leaks or damage.
- Replace defective hoses before operating the bucket.
- Check all pivot pins and fasteners; replace them as needed.
- Remember that well-maintained equipment is safer, will perform better, and provide longer service life!

# Four-In-One Bucket



New Holland, PA 17557  
Phone (717) 354-8721 • FAX (717) 354-2162  
1-800-342-0905  
[www.preseeder.com](http://www.preseeder.com)

## LIST OF PARTS ILLUSTRATIONS

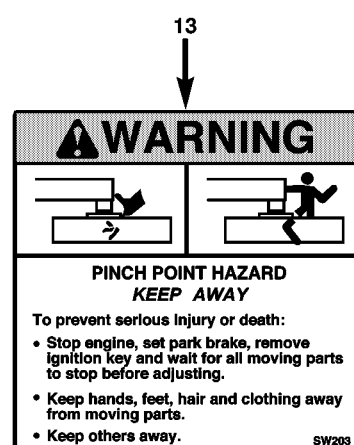
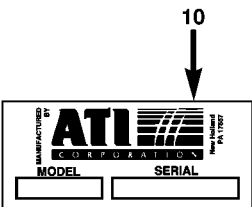
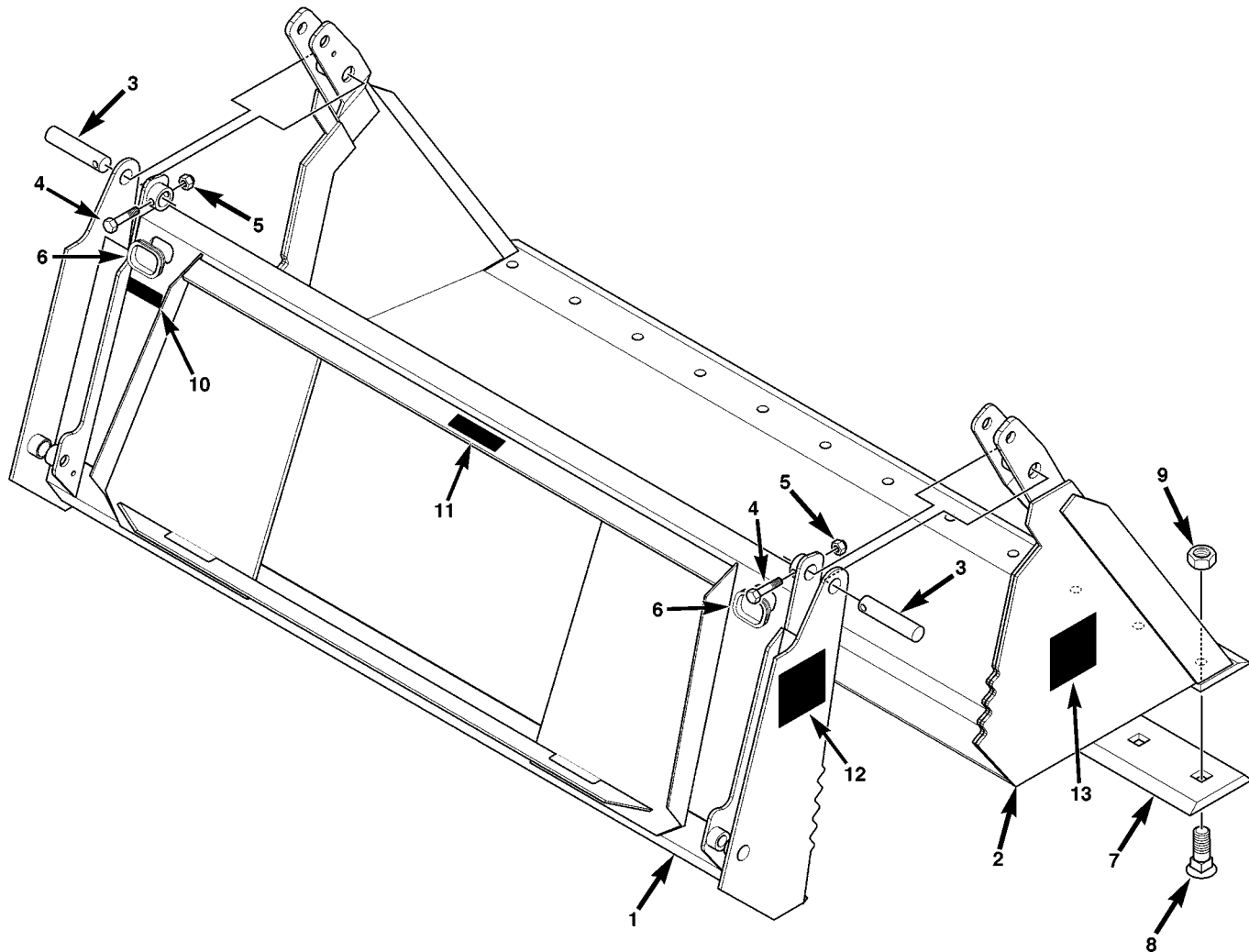
Figure 1. Bucket, Clam & Related Parts.....	2
Figure 2. Hydraulics With 2" Cylinders.....	4
Figure 3. Hydraulics With 1-3/4" Cylinders.....	6
Figure 4. Cylinder Assembly - 2" Bore x 6" Stroke.....	8
Figure 5. Cylinder Assembly - 1-3/4" Bore x 6" Stroke .....	10



New Holland, PA 17557  
 Phone (717) 354-8721 • FAX (717) 354-2162  
 1-800-342-0905  
 www.preseeder.com

# Four-In-One Bucket PARTS LIST

Figure 1. Bucket, Clam & Related Parts



# Four-In-One Bucket PARTS LIST



New Holland, PA 17557  
Phone (717) 354-8721 • FAX (717) 354-2162  
1-800-342-0905  
www.preseeder.com

Figure 1. Bucket, Clam & Related Parts

Item	Part No.	Qty	Description
1	311-004-000	1	Bucket Weldment, 60"
	311-005-000	1	Bucket Weldment, 66"
	311-006-000	1	Bucket Weldment, 72"
2	311-007-000	1	Clam Weldment, 60"
	311-008-000	1	Clam Weldment, 66"
	311-009-000	1	Clam Weldment, 72"
3	000-161-060	2	Pin, Pivot, 1" Dia. x 4-1/4" Long
4	LP	2	Bolt, Hex Head, 1/4"-20UNC x 2" Long
5	LP	2	Nut, Hex, Nylon Lock, 1/4"-20UNC
6	001-001-010	2	Grommet
7	000-190-073	1	Edge, Cutting, DBF, 61-3/8", Optional
	000-190-074	1	Edge, Cutting, DBF, 67-3/8", Optional
	000-190-076	1	Edge, Cutting, DBF, 73-3/8", Optional
8	000-150-254	AR	Bolt, Plow, 5/8"-11UNC x 1-1/2" Long, Grade 8
9	000-158-139	AR	Nut, Hex, 5/8"-11UNC, Grade 8
10	000-186-035	1	Plate, Model/Serial, Adhesive Back
11	000-186-023	1	Decal, Caution, (Do Not Exceed)
12	000-186-041	2	Decal, Warning, (High-Pressure Fluid Hazard)
13	000-186-013	2	Decal, Warning, (Pinch Point)

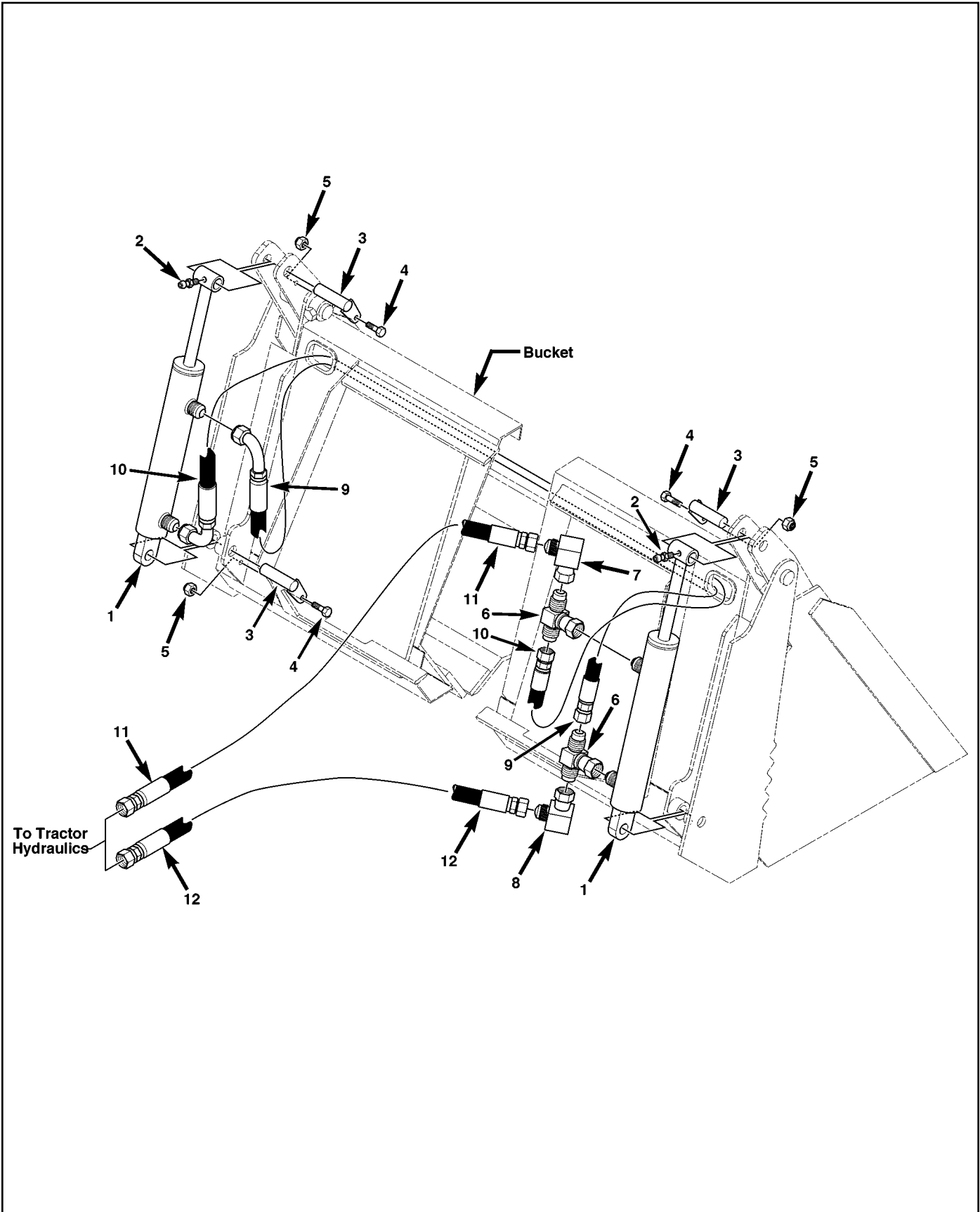
AR - As Required    NSS - Not Serviced Separately    ASN - After Serial No.    BSN - Before Serial No.    LP - Local Purchase



New Holland, PA 17557  
Phone (717) 354-8721 • FAX (717) 354-2162  
1-800-342-0905  
www.preseeder.com

# Four-In-One Bucket PARTS LIST

Figure 2. Hydraulics With 2" Cylinders



# Four-In-One Bucket PARTS LIST



New Holland, PA 17557  
Phone (717) 354-8721 • FAX (717) 354-2162  
1-800-342-0905  
www.preseeder.com

Figure 2. Hydraulics With 2" Cylinders

Item	Part No.	Qty	Description
1	000-166-169	2	Cylinder Assembly, 2" Bore x 6" Stroke, Includes Item 2 (See Breakdown)
2	000-166-002	2	Fitting, Lube, 3/16" Drive
3	000-161-027	4	Pin, Cylinder, 3/4" Dia. x 2-3/4" Long
4	LP	4	Bolt, Hex Head, 5/16"-18UNC x 1" Long
5	LP	4	Nut, Hex, Nylon Lock, 5/16"-18UNC
6	000-166-112	2	Tee, Swivel Nut Branch, 6MJ x 6MJ x 6FJX
7	000-166-110	2	Elbow, 6MJ x 6FJX, 90°
8	000-166-152	1	EElbow, 6MJ x 6FJX, 90°, With Orifice
9	000-166-146	1	Hose, Hydraulic, 1/4" x 6FJX x 6FJX45 x 78" Long, (60" Bucket)
	000-166-144	1	Hose, Hydraulic, 1/4" x 6FJX x 6FJX45 x 84" Long, (66" Bucket)
	000-166-136	1	Hose, Hydraulic, 1/4" x 6FJX x 6FJX45 x 90" Long, (72" Bucket)
10	000-166-147	1	Hose, Hydraulic, 1/4" x 6FJX x 6FJX90 x 78" Long, (60" Bucket)
	000-166-145	1	Hose, Hydraulic, 1/4" x 6FJX x 6FJX90 x 84" Long, (66" Bucket)
	000-166-137	1	Hose, Hydraulic, 1/4" x 6FJX x 6FJX90 x 90" Long, (72" Bucket)
11	000-166-116	1	Hose, Hydraulic, 3/8" x 6FJX x 8MB x 65" Long
12	000-166-116	1	Hose, Hydraulic, 3/8" x 6FJX x 8MB x 65" Long
			BH-Bulkhead MP-Male Pipe FP-Female Pipe FPX-Female Pipe Swivel MB-Male O-Ring Boss FB-Female O-Ring Boss MJ-Male JIC FJ-Female JIC FJX-Female JIC Swivel

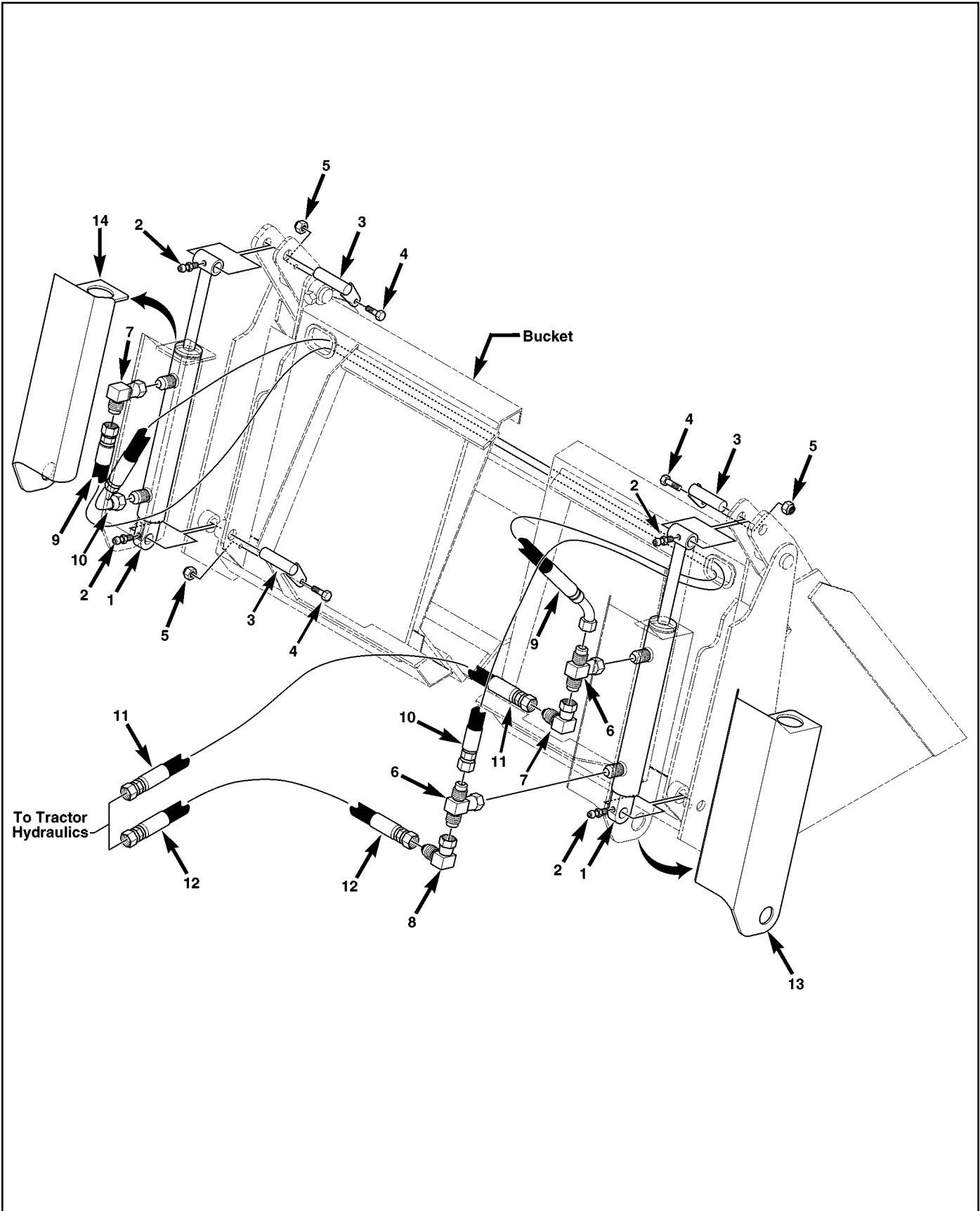
AR - As Required    NSS - Not Serviced Separately    ASN - After Serial No.    BSN - Before Serial No.    LP - Local Purchase



New Holland, PA 17557  
Phone (717) 354-8721 • FAX (717) 354-2162  
1-800-342-0905  
www.preseeder.com

# Four-In-One Bucket PARTS LIST

Figure 3. Hydraulics With 1-3/4" Cylinders



# Four-In-One Bucket PARTS LIST



New Holland, PA 17557  
Phone (717) 354-8721 • FAX (717) 354-2162  
1-800-342-0905  
www.preseeder.com

Figure 3. Hydraulics With 1-3/4" Cylinders

Item	Part No.	Qty	Description
1	000-166-070	2	Cylinder Assembly, 1-3/4" Bore x 6" Stroke, Includes Item 2 (See Breakdown)
2	000-166-002	4	Fitting, Lube, 3/16" Drive
3	000-161-027	4	Pin, Cylinder, 3/4" Dia. x 2-3/4" Long
4	LP	4	Bolt, Hex Head, 5/16"-18UNC x 1" Long
5	LP	4	Nut, Hex, Nylon Lock, 5/16"-18UNC
6	000-166-112	2	Tee, Swivel Nut Branch, 6MJ x 6MJ x 6FJX
7	000-166-110	2	Elbow, 6MJ x 6FJX, 90°
8	000-166-152	1	Elbow, 6MJ x 6FJX, 90°, With Orifice
9	000-166-146	1	Hose, Hydraulic, 1/4" x 6FJX x 6FJX45 x 78" Long, (60" Bucket)
	000-166-144	1	Hose, Hydraulic, 1/4" x 6FJX x 6FJX45 x 84" Long, (66" Bucket)
	000-166-136	1	Hose, Hydraulic, 1/4" x 6FJX x 6FJX45 x 90" Long, (72" Bucket)
10	000-166-147	1	Hose, Hydraulic, 1/4" x 6FJX x 6FJX90 x 78" Long, (60" Bucket)
	000-166-145	1	Hose, Hydraulic, 1/4" x 6FJX x 6FJX90 x 84" Long, (66" Bucket)
	000-166-137	1	Hose, Hydraulic, 1/4" x 6FJX x 6FJX90 x 90" Long, (72" Bucket)
11	000-166-116	1	Hose, Hydraulic, 3/8" x 6FJX x 8MB x 65" Long
12	000-166-116	1	Hose, Hydraulic, 3/8" x 6FJX x 8MB x 65" Long
13	311-010-000	1	Cover, Cylinder, Right Side
14	311-011-000	1	Cover, Cylinder, Left Side
			BH-Bulkhead MP-Male Pipe FP-Female Pipe FPX-Female Pipe Swivel MB-Male O-Ring Boss FB-Female O-Ring Boss MJ-Male JIC FJ-Female JIC FJX-Female JIC Swivel

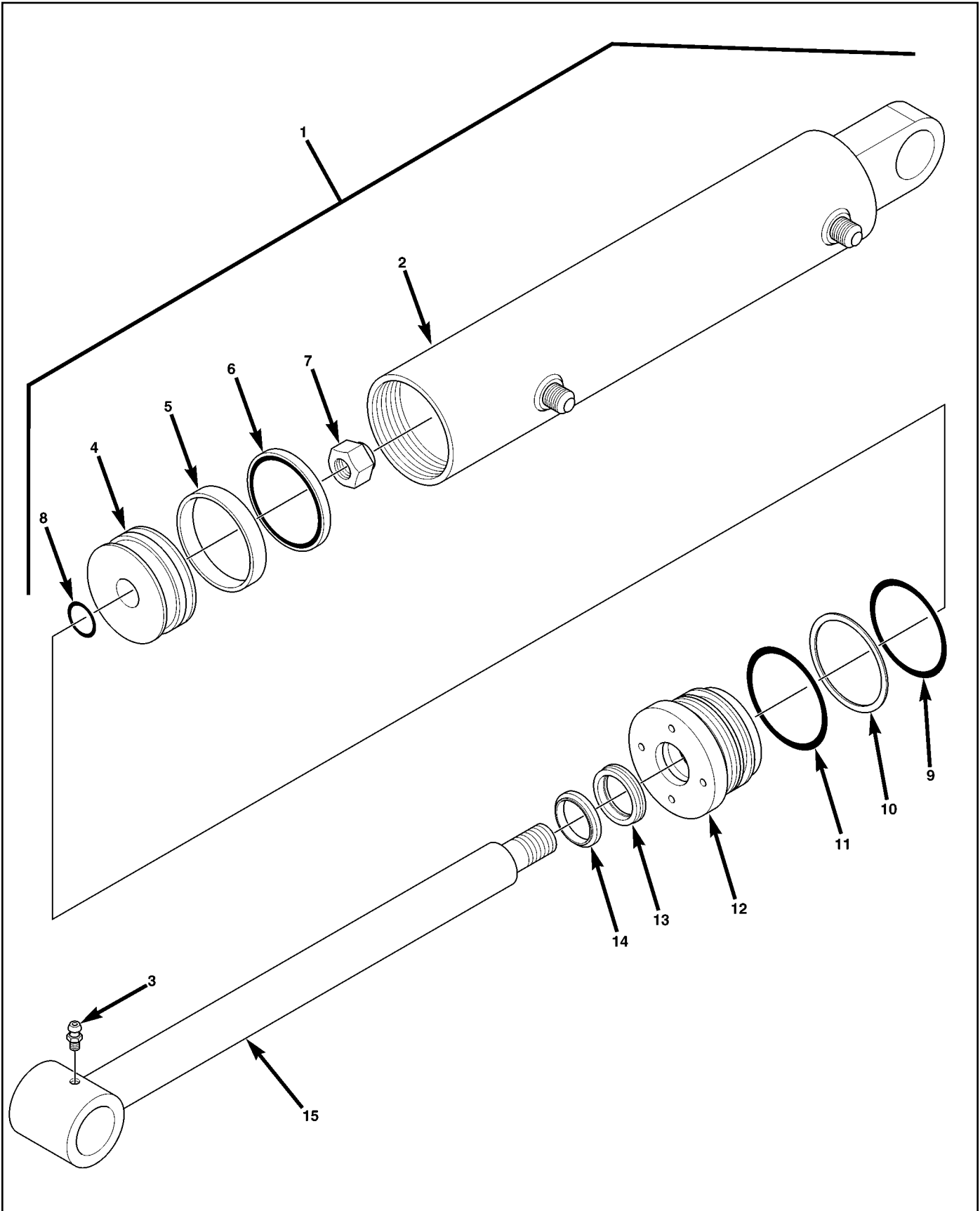
AR - As Required    NSS - Not Serviced Separately    ASN - After Serial No.    BSN - Before Serial No.    LP - Local Purchase



New Holland, PA 17557  
Phone (717) 354-8721 • FAX (717) 354-2162  
1-800-342-0905  
www.preseeder.com

# Four-In-One Bucket PARTS LIST

Figure 4. Cylinder Assembly, 2" Bore x 6" Stroke



# Four-In-One Bucket PARTS LIST



New Holland, PA 17557  
Phone (717) 354-8721 • FAX (717) 354-2162  
1-800-342-0905  
www.preseeder.com

Figure 4. Cylinder Assembly, 2" Bore x 6" Stroke

Item	Part No.	Qty	Description
1	000-166-169	1	Cylinder Assembly, 2" Bore x 6" Stroke, Includes Items 2 thru 15
2	000-166-191	1	Barrel Assembly
3	000-166-002	1	Fitting, Lube, 3/16" Drive
4	000-166-192	1	Piston
5	NSS	1	Seal, Crown
6	NSS	1	Ring, Bearing
7	LP	1	Nut, Lock
8	NSS	1	O-Ring
9	NSS	1	O-Ring
10	NSS	1	Washer, Back-Up
11	NSS	1	O-Ring
12	000-166-193	1	Gland, Threaded
13	NSS	1	Seal, U-Cup
14	NSS	1	Wiper
15	000-166-194	1	Rod Assembly
	000-166-195	AR	Kit; Cylinder Repair, Includes: Items 5, 6, 8 thru 11, 13 & 14

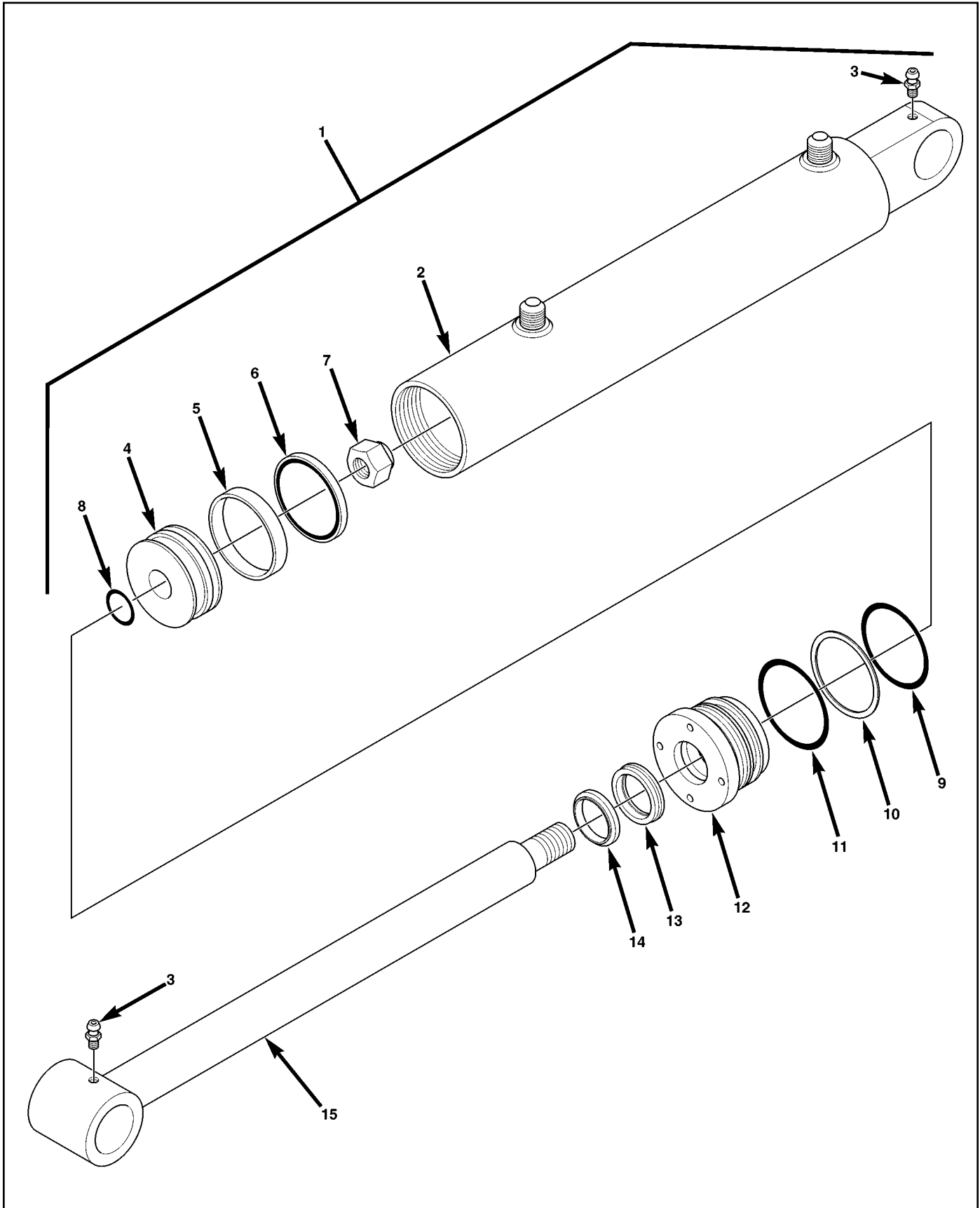
AR - As Required    NSS - Not Serviced Separately    ASN - After Serial No.    BSN - Before Serial No.    LP - Local Purchase



New Holland, PA 17557  
Phone (717) 354-8721 • FAX (717) 354-2162  
1-800-342-0905  
www.preseeder.com

# Four-In-One Bucket PARTS LIST

Figure 5. Cylinder Assembly, 1-3/4" Bore x 6" Stroke



# Four-In-One Bucket PARTS LIST



New Holland, PA 17557  
Phone (717) 354-8721 • FAX (717) 354-2162  
1-800-342-0905  
www.preseeder.com

Figure 5. Cylinder Assembly, 1-3/4" Bore x 6" Stroke

Item	Part No.	Qty	Description
1	000-166-070	1	Cylinder Assembly, 1-3/4" Bore x 6" Stroke, Includes Items 2 thru 15
2	000-166-153	1	Barrel Assembly
3	000-166-002	2	Fitting, Lube, 3/16" Drive
4	000-166-154	1	Piston
5	NSS	1	Seal, Crown
6	NSS	1	Ring, Bearing
7	LP	1	Nut, Lock
8	NSS	1	O-Ring
9	NSS	1	O-Ring
10	NSS	1	Washer, Back-Up
11	NSS	1	O-Ring
12	000-166-155	1	Gland, Threaded
13	NSS	1	Seal, U-Cup
14	NSS	1	Wiper
15	000-166-156	1	Rod Assembly
	000-166-084	AR	Kit; Cylinder Repair, Includes: Items 5, 6, 8 thru 11, 13 & 14

AR - As Required    NSS - Not Serviced Separately    ASN - After Serial No.    BSN - Before Serial No.    LP - Local Purchase