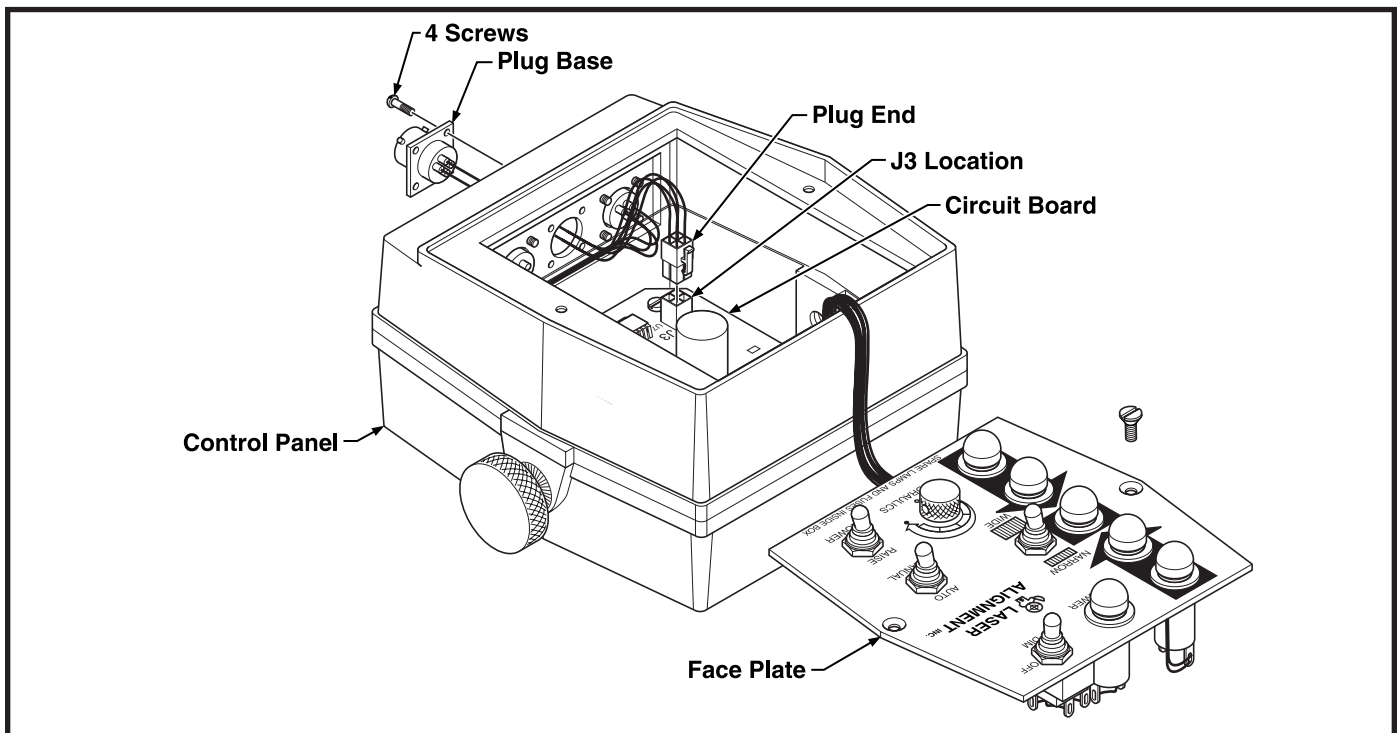


Installation Instructions of Plug End into the Control Panel for Remote Thumb Switch Adapter Kit



1. Remove control panel from Skid Steer and lay on a flat surface.
2. Remove 4 screws and blank plate on the bottom of control panel.
3. Remove 2 screws and face plate, be careful of wires attached.
4. Feed the plug end through hole in the bottom of control panel and plug into the J3 location (bottom left hand corner) on the circuit board.
5. Secure plug base with the 4 screws from the blank plate.
6. Replace face plate and screws.